

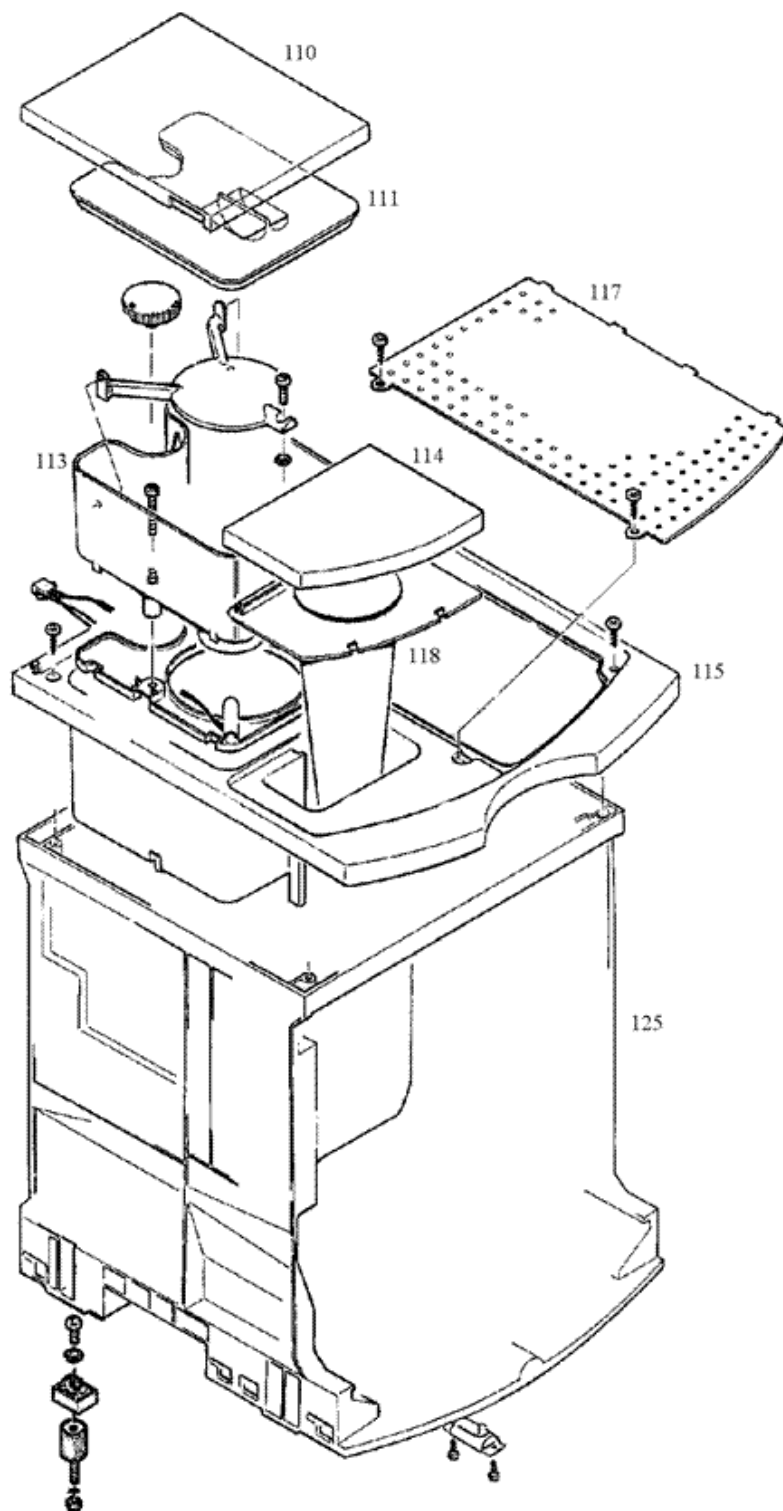
The recycling passport is valid for the following articles:

| | |
|-------|--------------------------------|
| 13362 | Impresa XS90 OT black (CH) |
| 13363 | Impresa XS90 OT black (EU) |
| 13428 | Impresa XS90 OT black (EU INT) |
| 13429 | Impresa XS90 OT black (UL) |
| 13430 | Impresa XS90 OT black (JP) |
| 13431 | Impresa XS95 OT platinum (CH) |
| 13432 | Impresa XS95 OT platinum (EU) |
| 13435 | Impresa XS90 OT black |

The Variant designations mean:

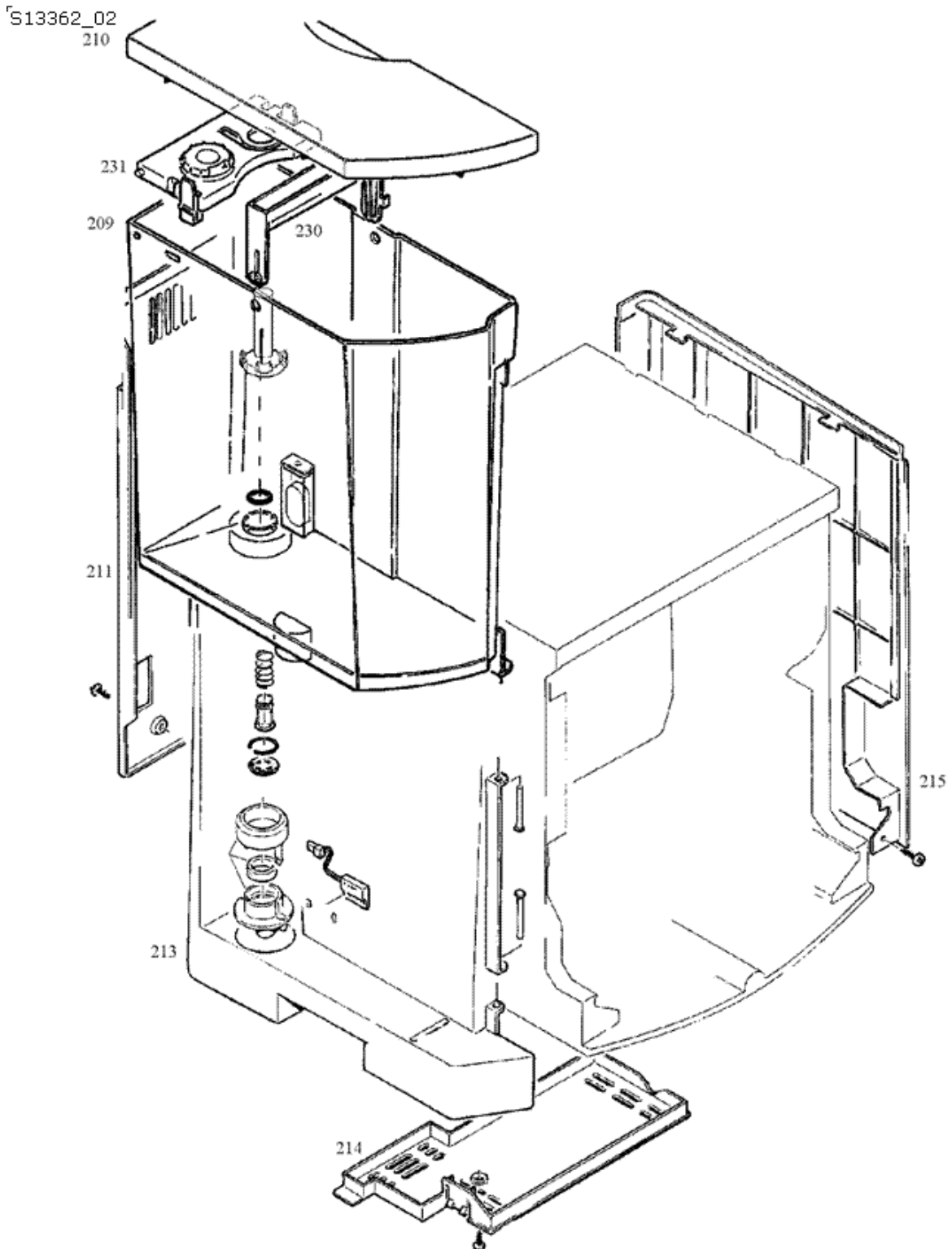
(1) Case cover

S13362_01



| Pos | Designation | Material | Disassembly | Disposal | Variation | Return |
|------|-------------------------------|--------------------|-------------|----------|-----------|--------|
| 0110 | Bean container lid black | ABS | | | | |
| 0111 | Lid to preserve aroma | SAN | | | | |
| 0113 | Bean container black | PP / SAN / Messing | | | | |
| 0114 | Powder funnel lid black | ABS | | | | |
| 0115 | Housing lid complete black | ABS / Messing | | | | |
| 0117 | Cup support | High-grade steel | | | | |
| 0118 | Powder funnel black | ABS | | | | |
| 0125 | Components support XS90/95 | ABS | | | | |

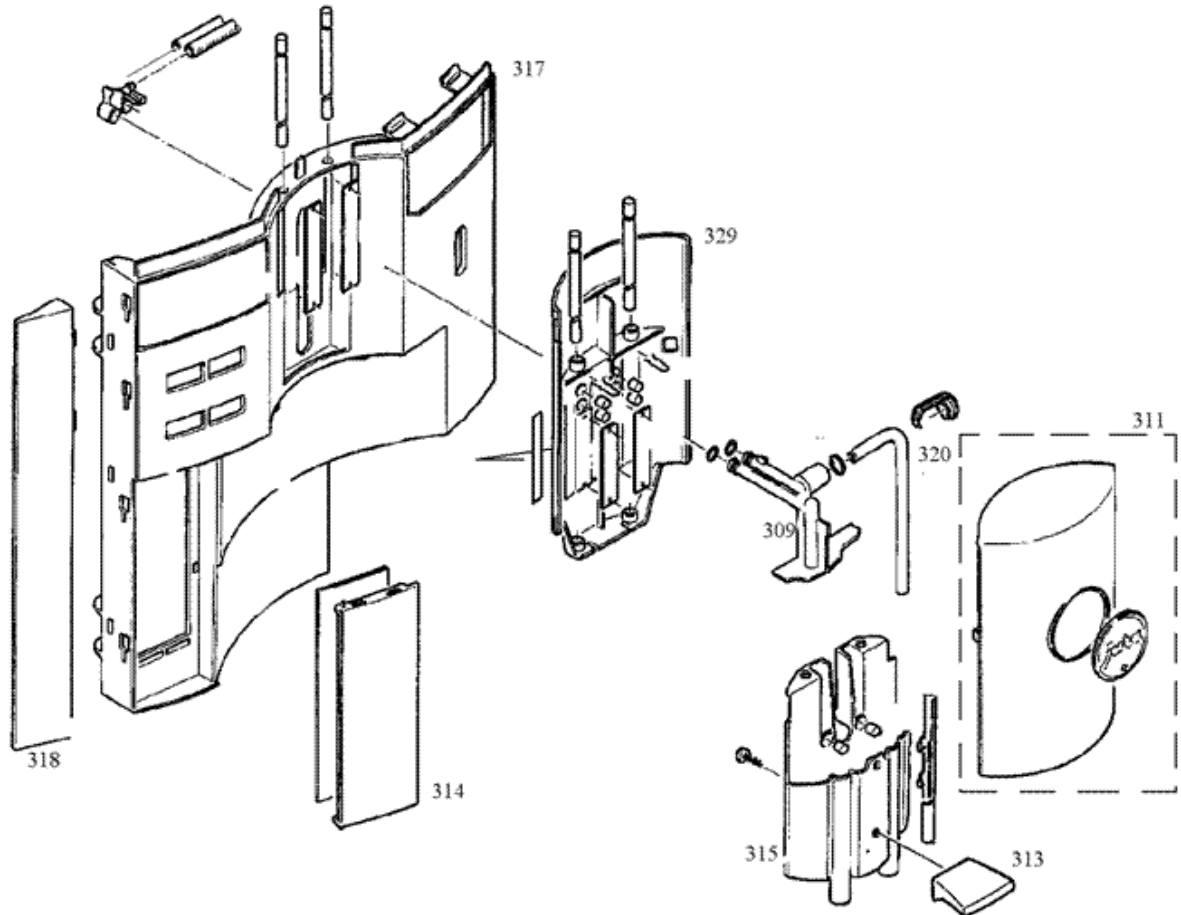
(2) Case components and water tank



| Pos | Designation | Material | Disassembly | Disposal | Variation | Return |
|------|--------------------------------|----------|-------------|----------|-----------|--------|
| 0209 | Water tank X90 complete | Plastic | | | | |
| 0210 | Tank lid black | ABS | | | | |
| 0211 | Back black | ABS | | | | |
| 0213 | Tank base black | ABS | | | | |
| 0214 | Cover cable case | ABS | | | | |
| 0215 | Right side section black | ABS | | | | |
| 0230 | Carrying handle for water cont | PA | | | | |
| 0231 | Bracket X90 | ABS / PP | | | | |

(3) Front cover

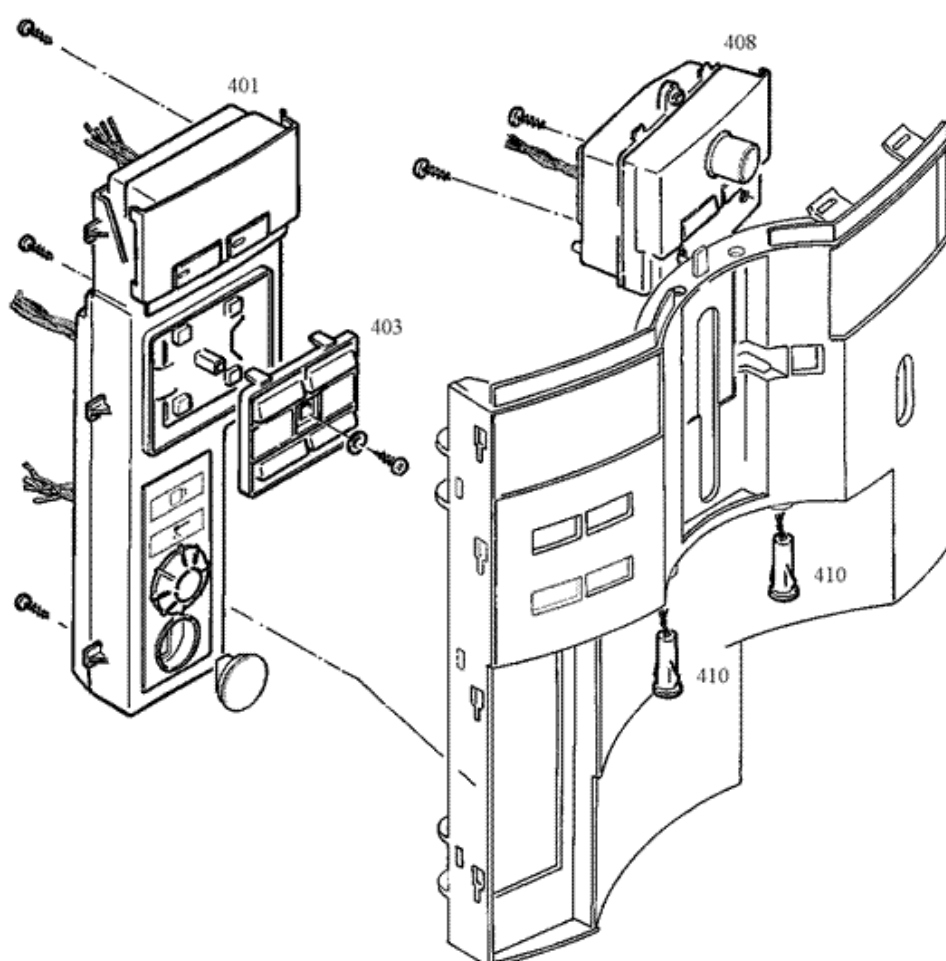
S13362_03



| Pos | Designation | Material | Disassembly | Disposal | Variation | Return |
|------|------------------------|-------------|-------------|----------|-----------|--------|
| 0309 | Injection piece | PA | | | | |
| 0311 | Outlet gate cpl | ABS | | | | |
| 0313 | Handle chromium plated | ZN | | | | |
| 0314 | Hinged cover black | ABS | | | | |
| 0315 | Dispenser silver | ABS / Steel | | | | |
| 0317 | Front cover black | ABS | | | | |
| 0318 | Cover black | ABS | | | | |
| 0320 | Water tube | Steel | | | | |
| 0329 | Outlet gate | Steel / PBT | | | | |

(4) Control elements

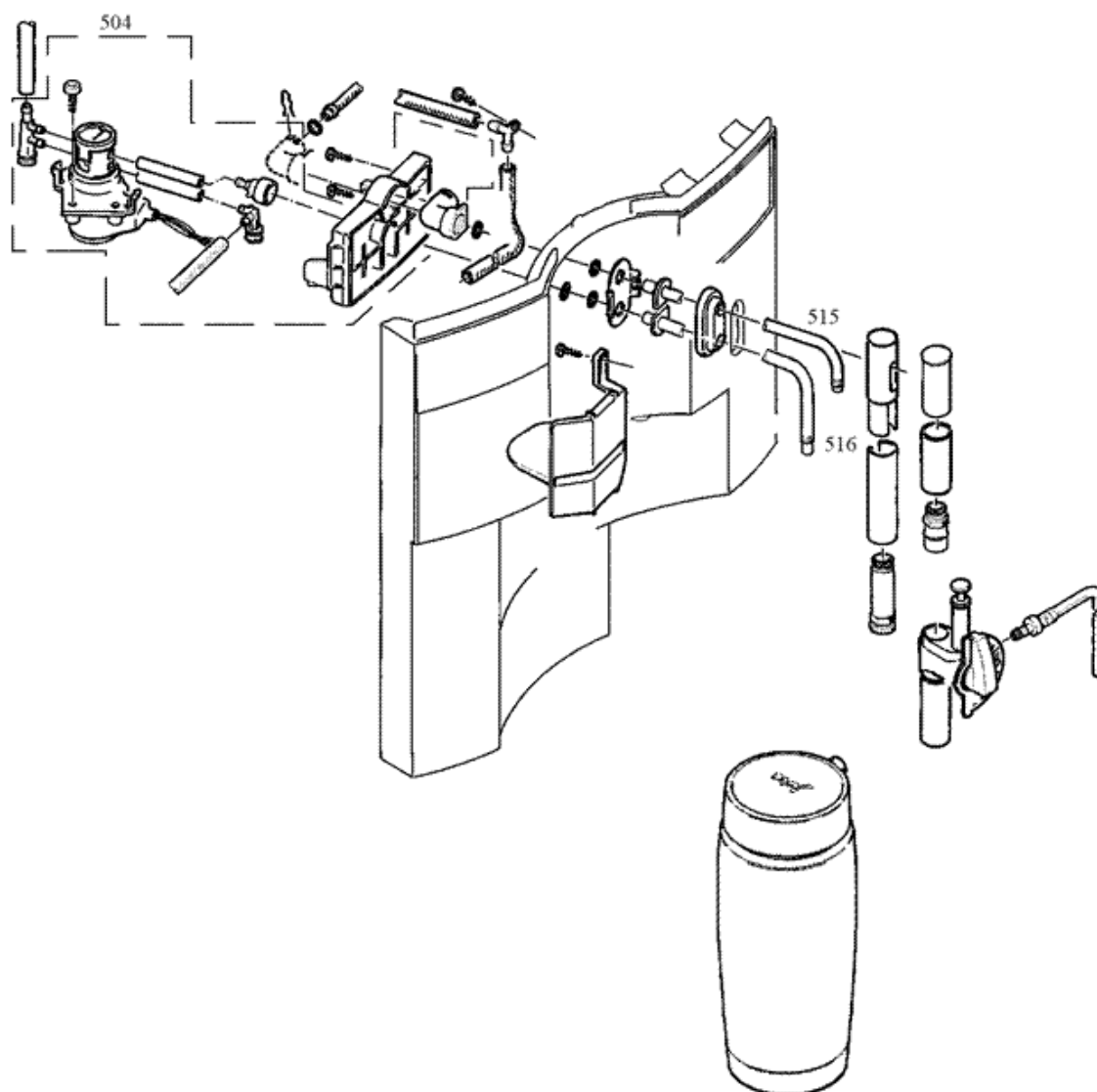
S13362_04



| Pos | Designation | Material | Disassembly | Disposal | Variation | Return |
|------|-------------------------|------------|-------------|----------|-----------|--------|
| 0401 | Logic pcb S9 OT | Electronic | | Accu | | |
| 0403 | Push button rake coffee | ABS | | | | |
| 0408 | Steam pcb S9 OT | Electronic | | | | |
| 0410 | Light LED | Electronic | | | | |

(5) Cappu

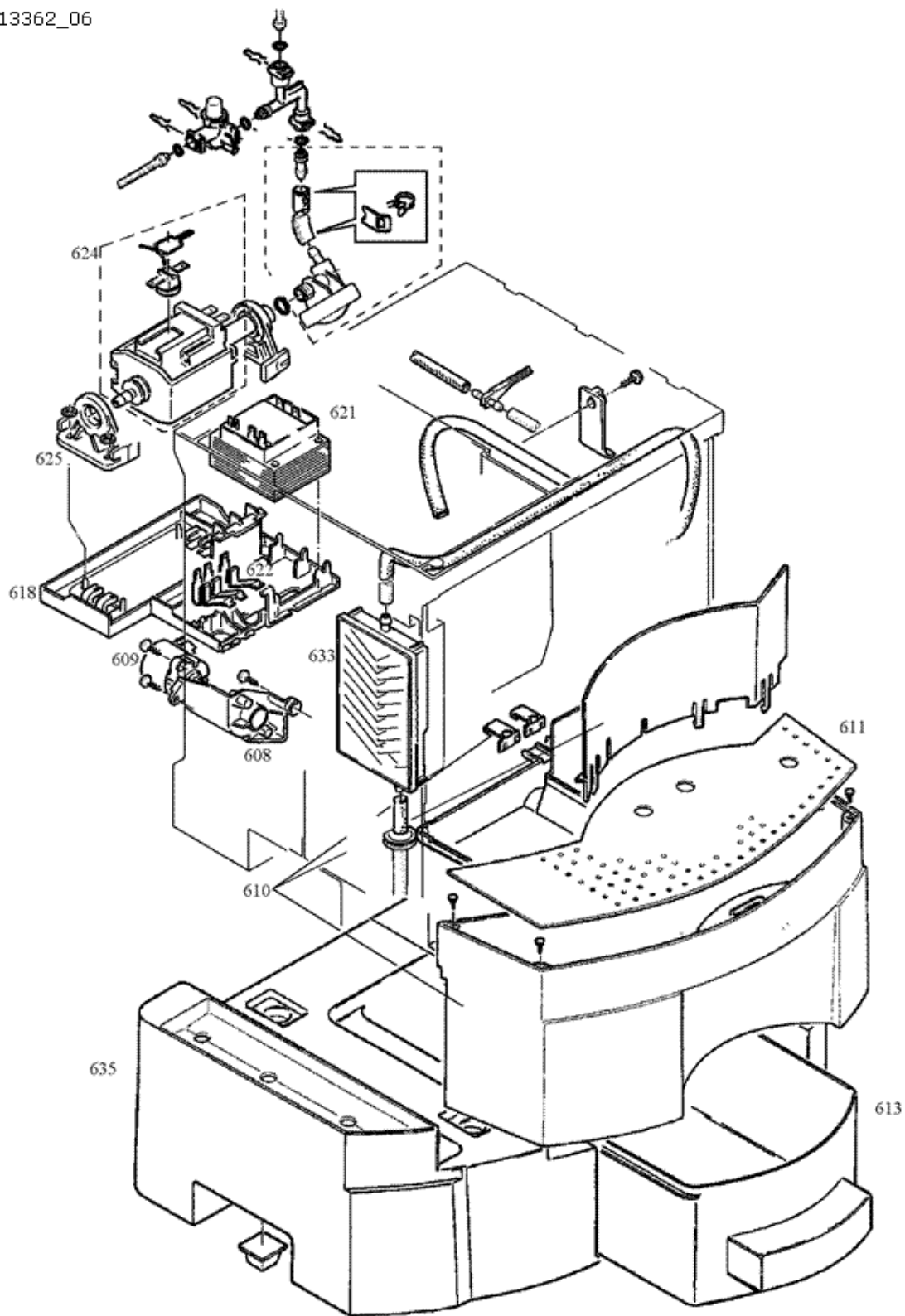
S13362_05



| Pos | Designation | Material | Disassembly | Disposal | Variation | Return |
|------|---------------------|------------------------------------|-------------|----------|-----------|--------|
| 0504 | Squeezing-valve | Electro / PA / Steel / Silicone | | | | |
| 0515 | Discharge pipe inox | Steel | | | | |
| 0516 | Discharge channel | Steel | | | | |

(6) Support plate and tray

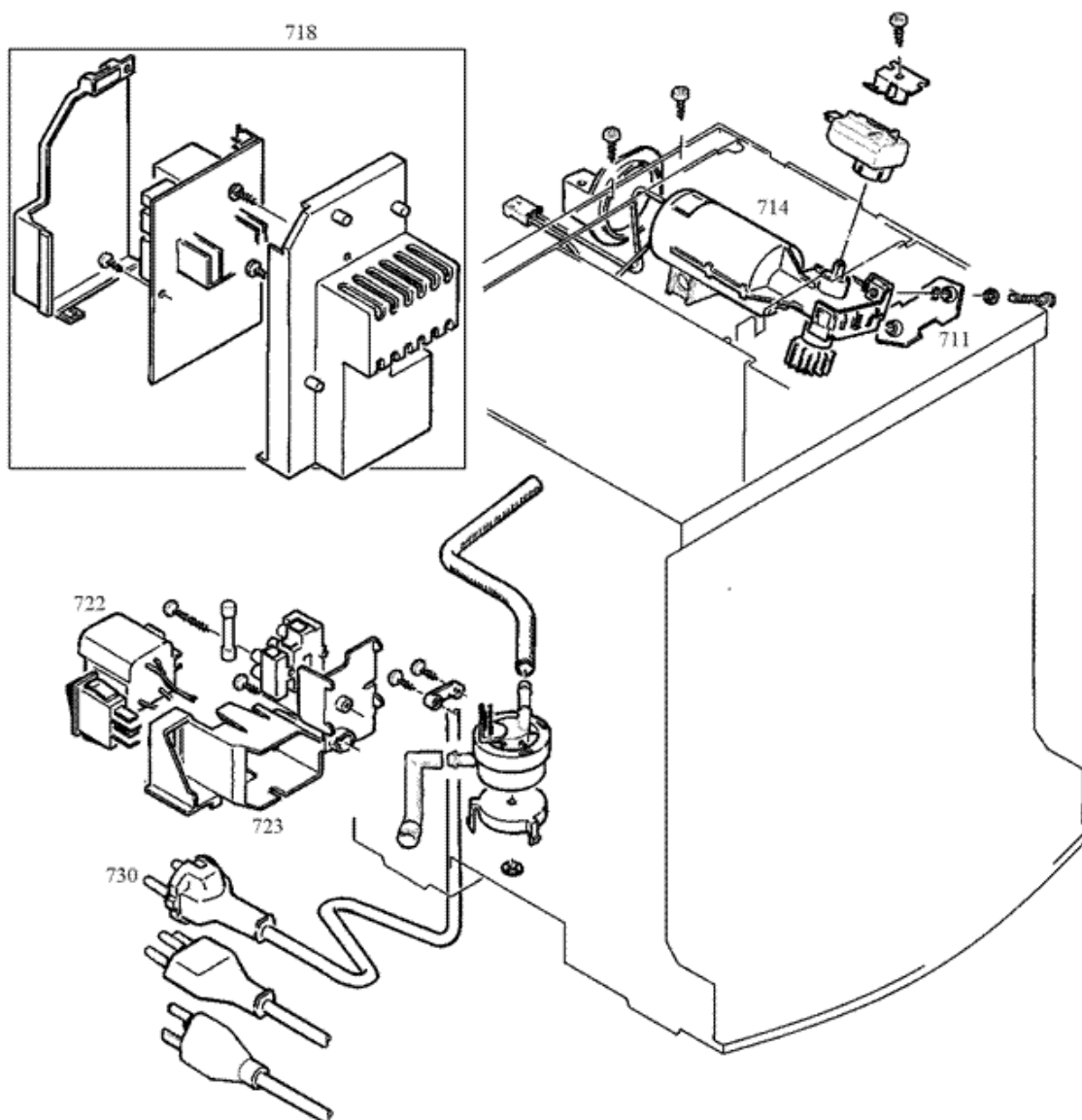
S13362_06



| Pos | Designation | Material | Disassembly | Disposal | Variation | Return |
|------|----------------------------|-------------------|-------------|----------|-----------|--------|
| 0608 | Motor support | ABS | | | | |
| 0609 | Drain motor | Electro | | | | |
| 0610 | Drain pan complete | ABS / Steel / TPE | | | | |
| 0611 | cup platform inox | Steel | | | | |
| 0613 | Used ground container | PP | | | | |
| 0618 | Pump support V2 | PP | | | | |
| 0621 | Transformer MS4960 100V V2 | Electro | | | X | |
| 0621 | Transformer 230V | Electro | | | X | |
| 0621 | Transformer 120V UL | Electro | | | X | |
| 0622 | Detection spring | BR | | | | |
| 0624 | Pump 230V/50Hz/60W | Electro | | | X | |
| 0624 | Pump 100V/50-60Hz | Electro | | | X | |
| 0624 | Pump 110-120V/60Hz | Electro | | | X | |
| 0625 | Pump carrier version 2 | Gum | | | | |
| 0633 | Condens casing | PP | | | | |
| 0635 | Base black | ABS | | | | |

(7) Printed power circuit board and drive

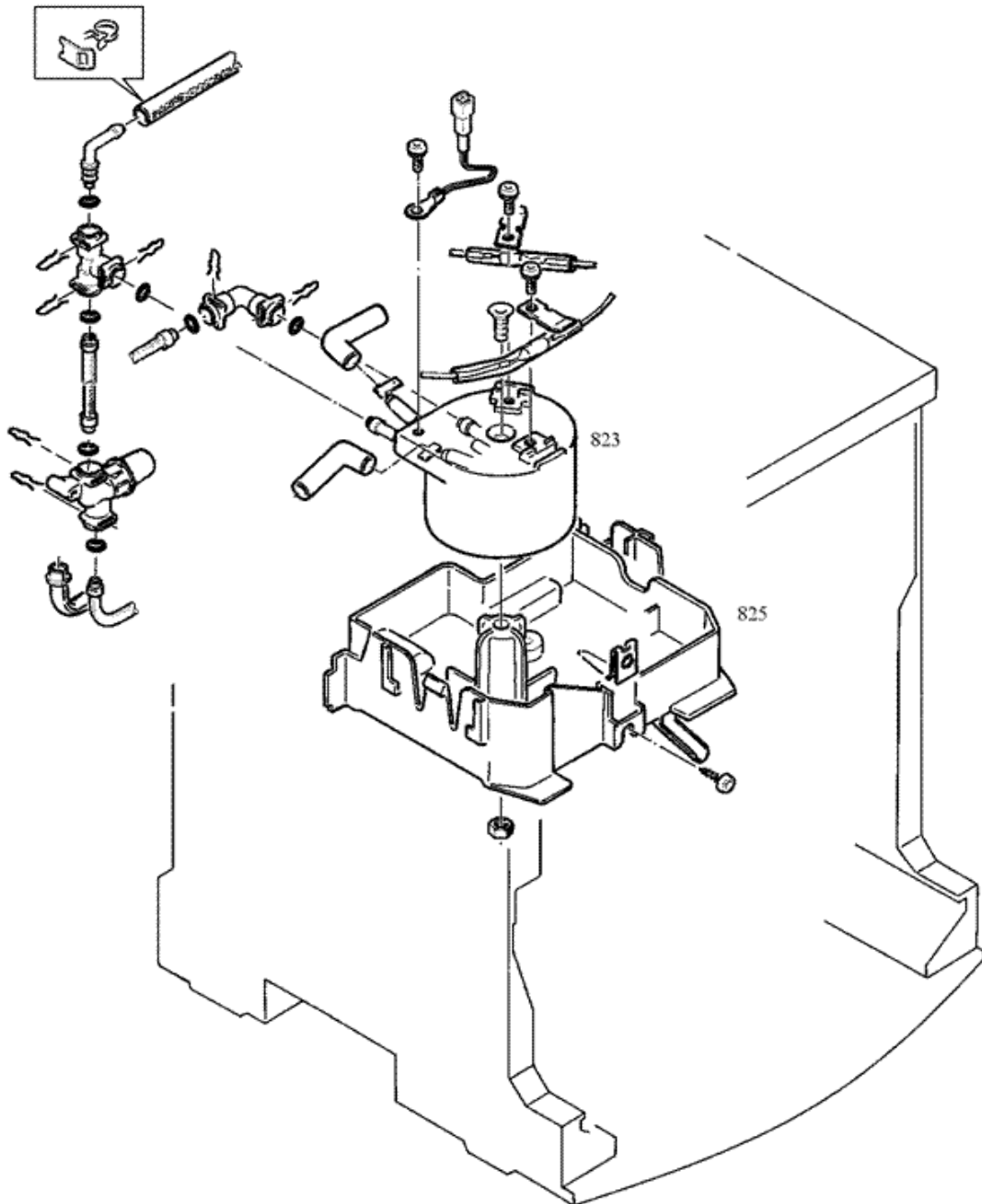
S13362_07



| Pos | Designation | Material | Disassembly | Disposal | Variation | Return |
|------|-------------------------|-------------------------|-------------|----------|-----------|--------|
| 0711 | Clamp | ZN | | | | |
| 0714 | Geared motor V2 | Electro / Messing / POM | | | | |
| 0718 | Power pcb 120V US kpl | Electronic | | | x | |
| 0718 | Power pcb S9 OT 230V | Electronic | | | x | |
| 0722 | Interference eliminator | Electro | | | | |
| 0723 | Sieve holder V2 IEC | PPO | | | | |
| 0730 | Incoming feeder sw RoHS | Copper / Gum | | | | |

(8) Heater coffee

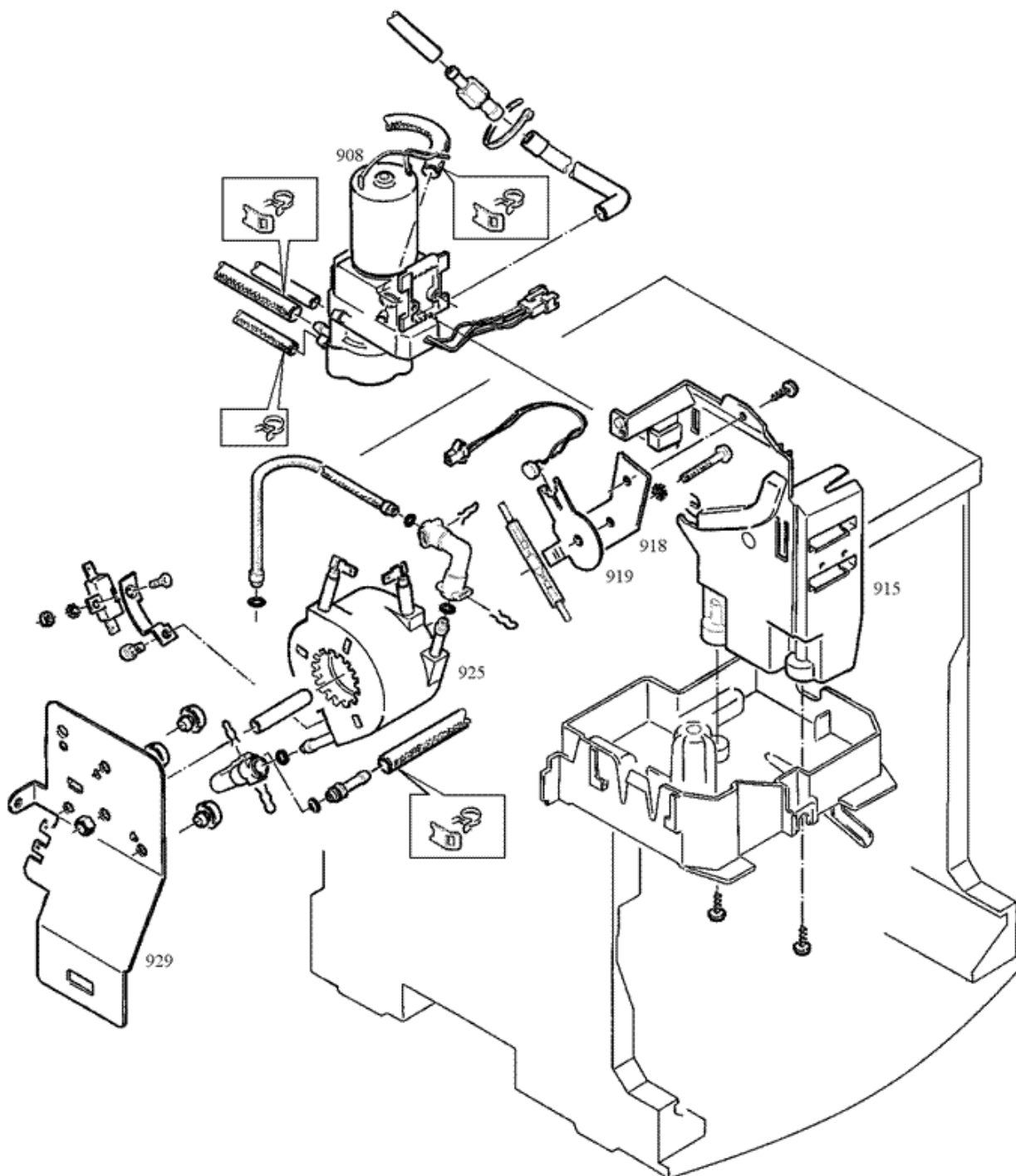
S13362_08



| Pos | Designation | Material | Disassembly | Disposal | Variation | Return |
|------|-------------------------------------|--------------------------|-------------|----------|-----------|--------|
| 0823 | Thermoblock 2003/L 100V/1200W | AL / Steel | | | x | |
| 0823 | Thermoblock 2003/L 120V/1200W | AL / Steel | | | x | |
| 0823 | T-Block sold. nipp. 230V/1400W | AL / High-grade steel | | | x | |
| 0825 | Heating support nature | PA | | | | |

(9) Heater steam

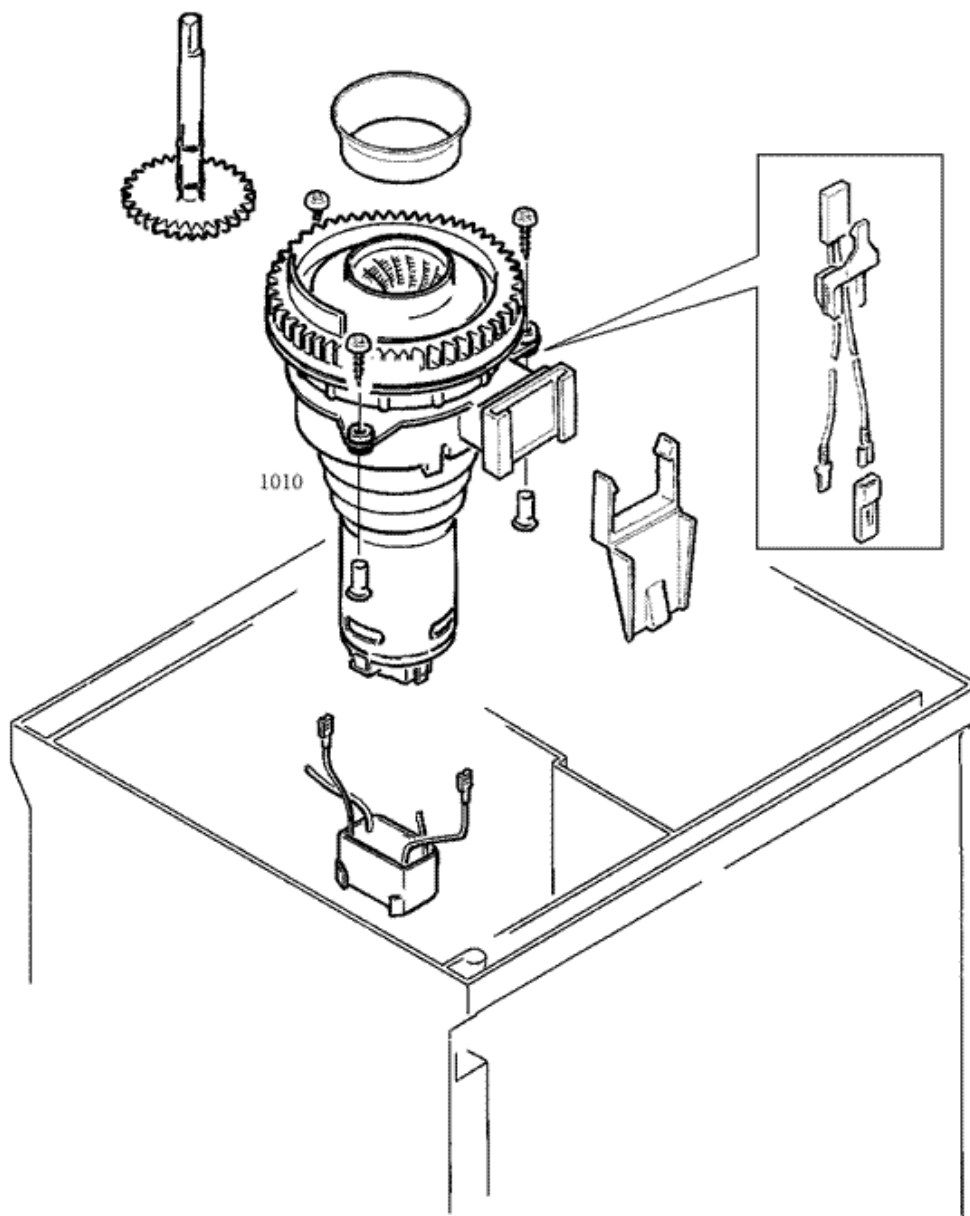
S13362_09



| Pos | Designation | Material | Disassembly | Disposal | Variation | Return |
|------|-------------------------------------|--|-------------|----------|-----------|--------|
| 0908 | Soupape céramique | Electro / PA / Steel / Silicone / Ceramic | | | | |
| 0915 | Support | PA | | | | |
| 0918 | Spacer | Steel | | | | |
| 0919 | Clamp to thermoblock head | Steel | | | | |
| 0925 | Thermoblock 2000/L 120V/1200W | AL / Steel | | | X | |
| 0925 | T-Block 2000 100V/1200W Typ 3 | AL / Steel | | | X | |
| 0925 | Thermoblock 2000/L 230V/1200W | AL / Steel | | | X | |
| 0929 | Heating support | Steel | | | | |

(10) Grinder

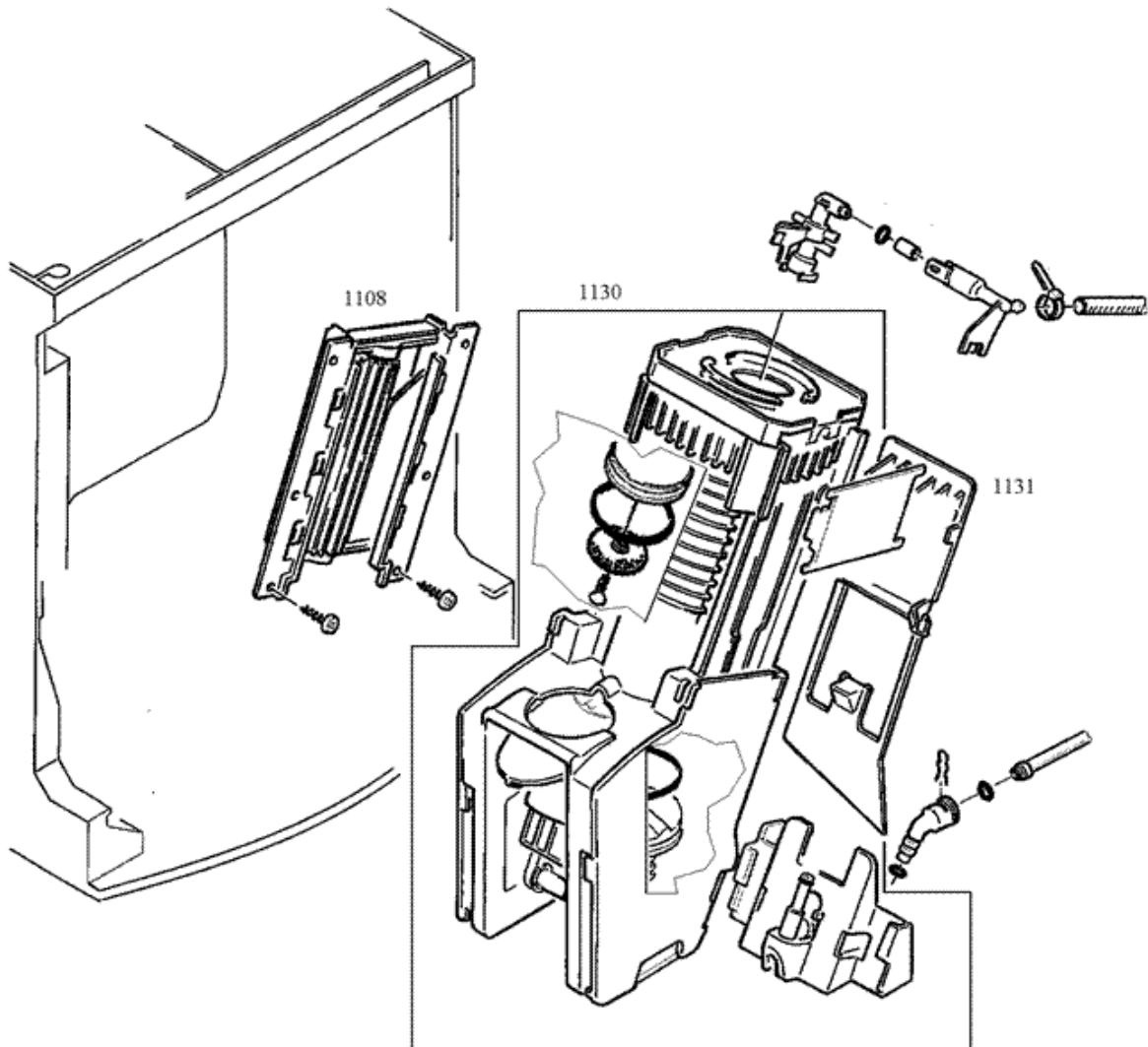
S13362_10



| Pos | Designation | Material | Disassembly | Disposal | Variation | Return |
|------|-------------------------------|--|-------------|----------|-----------|--------|
| 1010 | Grinder unit Domel 230V V2 | Electro / POM / PA / NBR / Steel / Messing | | | x | |
| 1010 | Grinder unit 120V F V2 | Electro / POM / Steel / NBR / Messing | | | x | |
| 1010 | Grinder unit 100V V4 | Electro / POM / PA / NBR / Steel / Messing | | | x | |

(11) Brew unit

S13362_11



| Pos | Designation | Material | Disassembly | Disposal | Variation | Return |
|------|---------------------|------------------|-------------|----------|-----------|--------|
| 1108 | Guide 107mm | AL / POM | | | | |
| 1130 | Brew unit universal | POM / PA / Steel | | | | |
| 1131 | Used ground blade | POM | | | | |